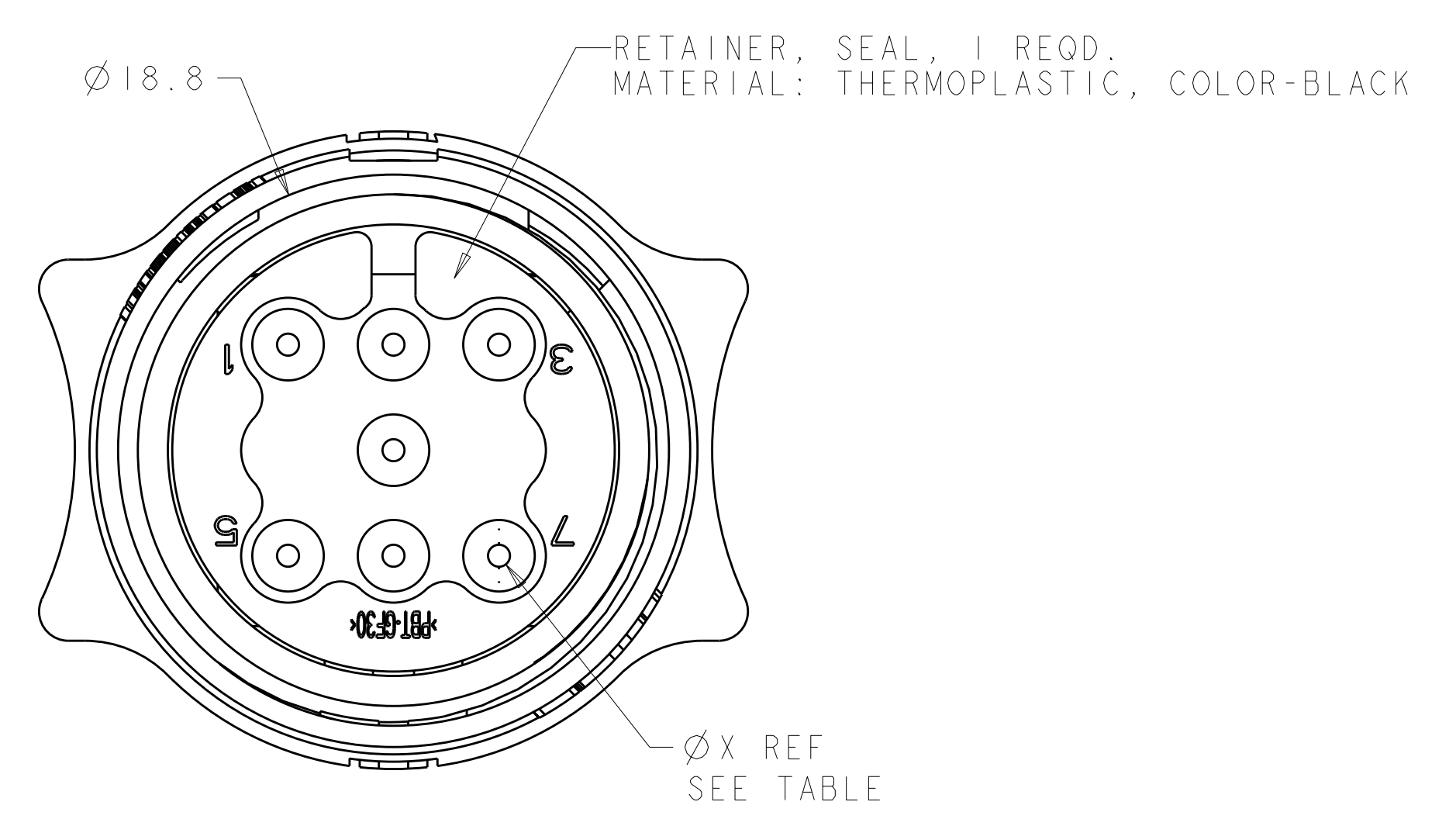
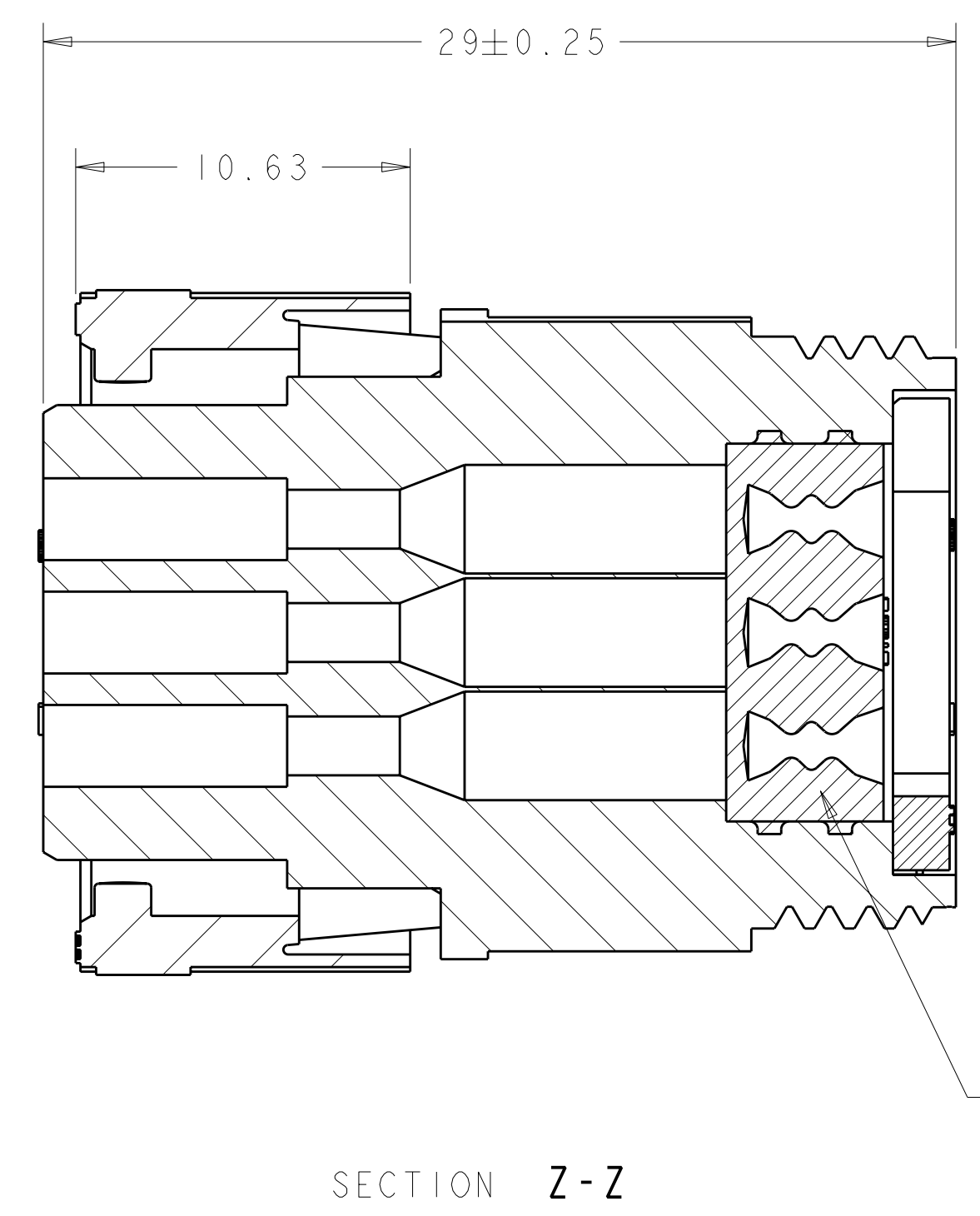
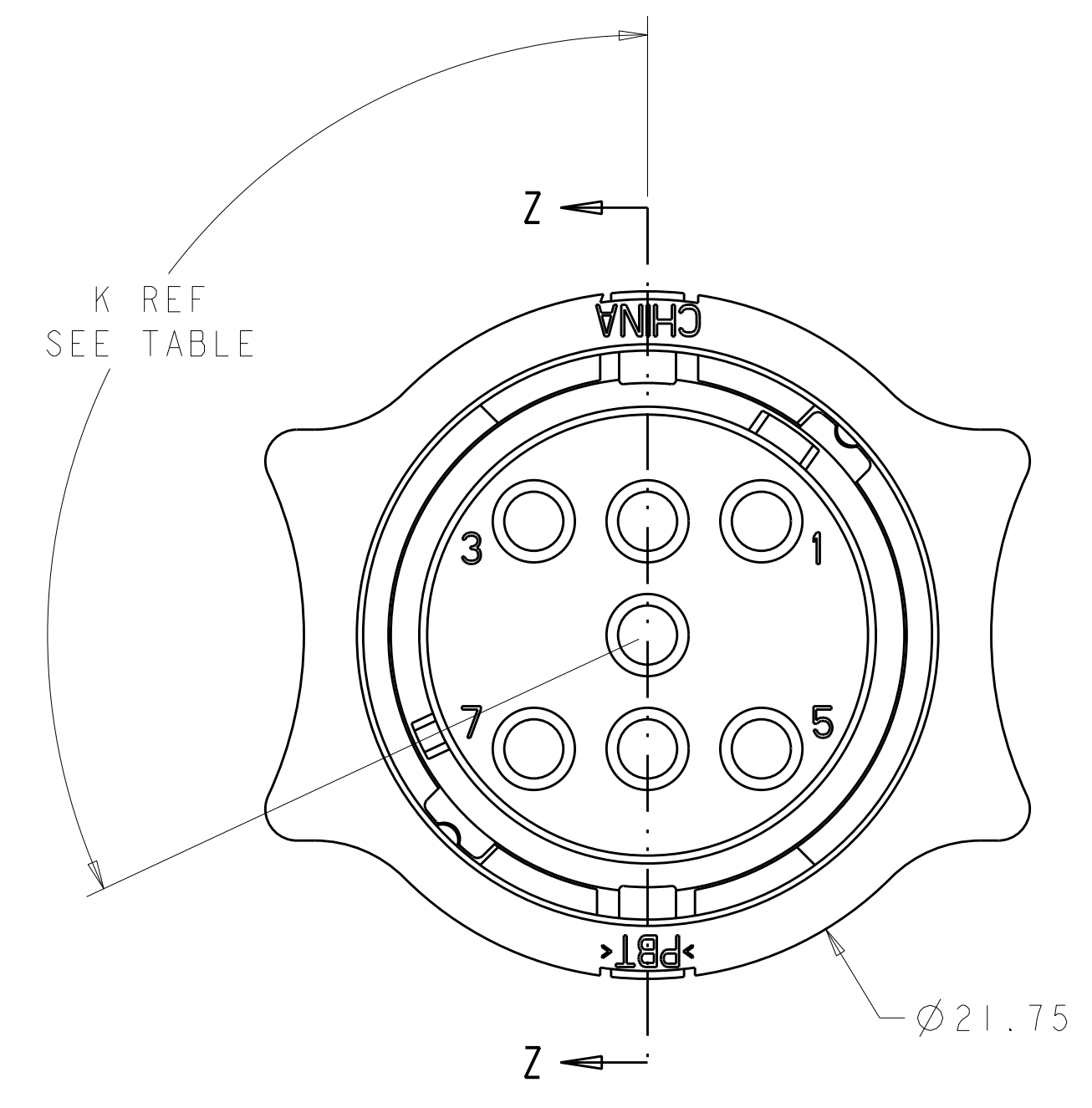
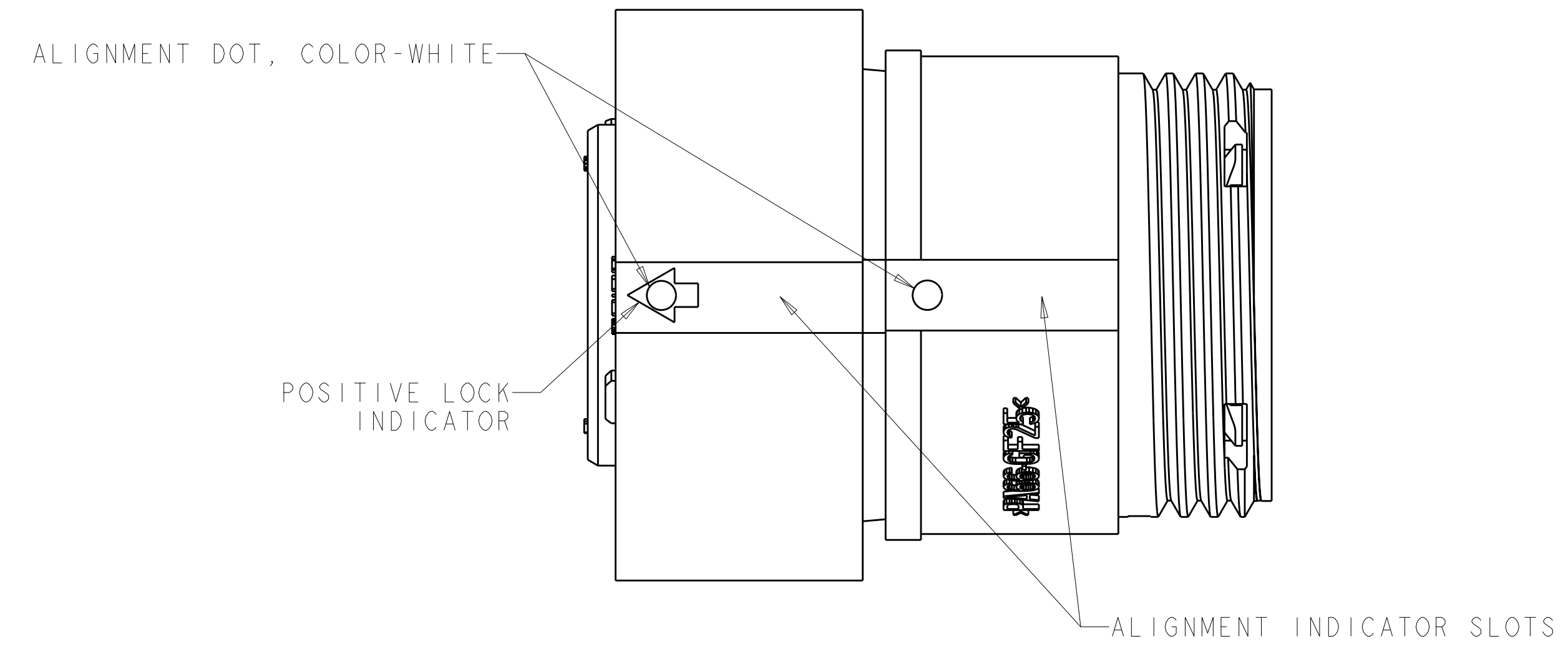
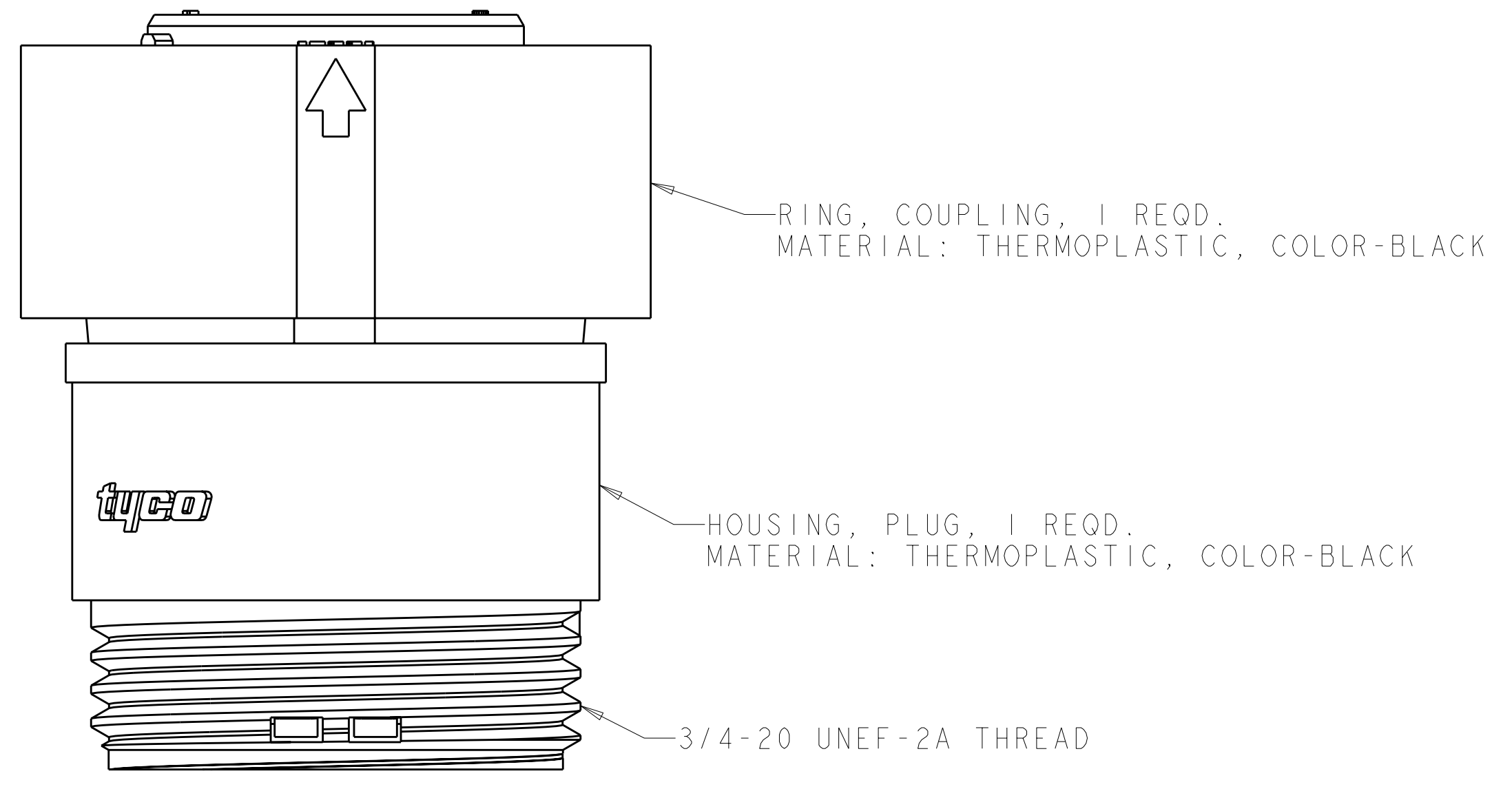


LOC	DIST	REVISIONS					
FT	0	P	LTN	DESCRIPTION	DATE	DWN	APVD
		A		RELEASED EC 063B-0362-03	16JUN2003	SW	HW
		B		REVISED EC 063B-0390-04	24MAY2004	SW	HW
		C		REVISED ECO-06-030039	03JAN2007	SW	DC



SEAL, WIRE ENTRY, 1 REQD.
MATERIAL: ELASTOMER, COLOR-SEE TABLE



QUALIFICATION TEST PENDING

YELLOW	Ø0.75	135°	1445818-4
NATURAL	Ø1.5	115°	1445818-3
NATURAL	Ø1.5	135°	1445818-2
YELLOW	Ø0.75	115°	1445818-1
SEAL, WIRE ENTRY COLOR	ØX REF	K REF	PART NUMBER

<small>THIS DRAWING IS UNPUBLISHED. RELEASED FOR PUBLICATION BY TYCO ELECTRONICS CORPORATION. ALL RIGHTS RESERVED. THIS IS SUBJECT TO CHANGE WITHOUT NOTICE AND WITHOUT OBLIGATION. SHOULD BE CONTACTED FOR THE LATEST REVISION.</small>		DWN SHANE WUEST 16OCT2001 CHK G DOUTY 16OCT2001 APVD H WAKEEM 13JUN2003	tyco Electronics Tyco Electronics Harrisburg, PA 17105-3608
DIMENSIONS: mm 	TOLERANCES UNLESS OTHERWISE SPECIFIED: 0 PLC ± 1 PLC ± 2 PLC ±0.13 3 PLC ± 4 PLC ± ANGLES ± FINISH -	NAME ASSEMBLY, PLUG, SIZE 11, 7 POSITION, SEALED, MINI CPC PRODUCT SPEC - APPLICATION SPEC - WEIGHT - CUSTOMER DRAWING	SIZE CAGE CODE DRAWING NO RESTRICTED TO A1 00779 C=1445818 SCALE 5:1 SHEET 1 OF 1 REV C